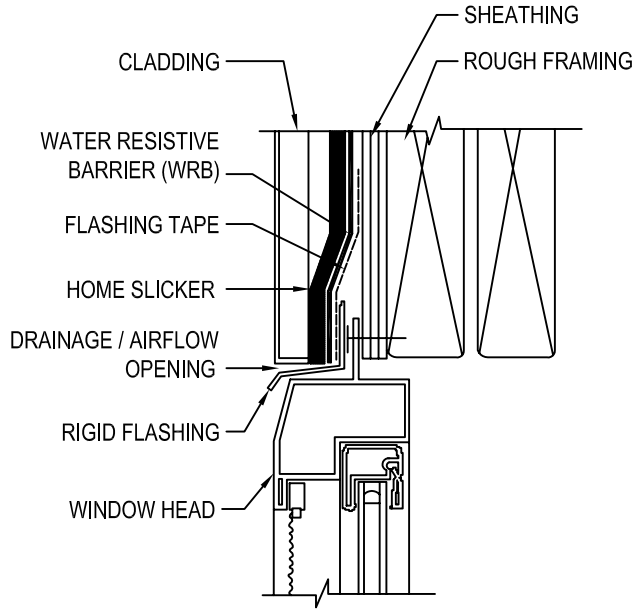
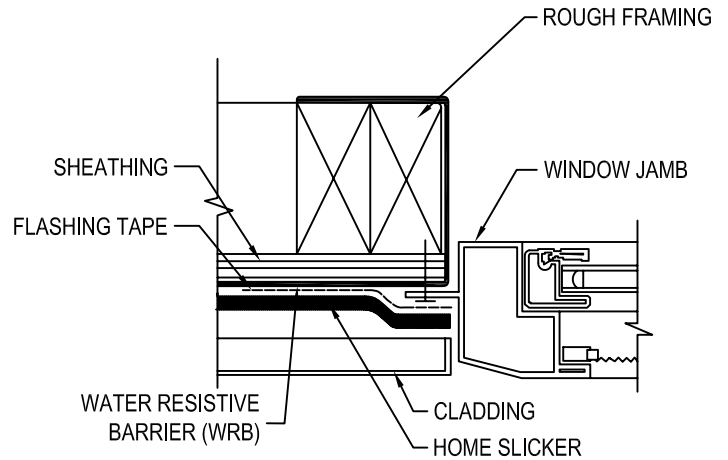


BENJAMIN OBDYKE

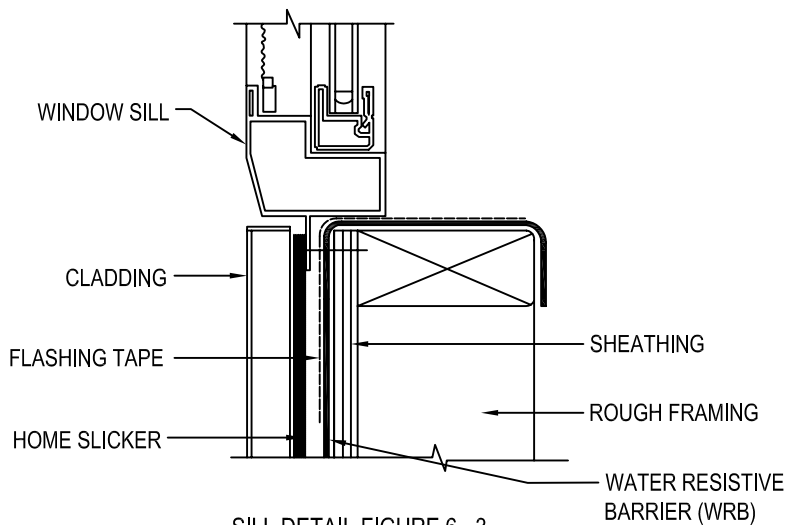
BENJAMIN OBDYKE INCORPORATED
 400 BABYLON ROAD, SUITE A
 HORSHAM, PA 19044 -1213
 TOLL FREE: 1-800-523-5261
 PHONE: (215) 672-7200
 FAX: (215) 672-3731
 www.benjaminobdyke.com



HEAD DETAIL FIGURE 6 -1



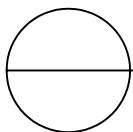
JAMB DETAIL FIGURE 6 -2



SILL DETAIL FIGURE 6 -3

NOTES:

1. INSTALLATION TO BE COMPLETED IN ACCORDANCE WITH MANUFACTURER'S SPECIFICATIONS.
2. DO NOT SCALE DRAWINGS.
3. CONTRACTORS NOTE: FOR PRODUCT AND COMPANY INFORMATION VISIT www.CADdetails.com/info
 REFERENCE NUMBER 587-018a.



HOME SLICKER® AND HOME SLICKER® 10

FLANGED WINDOW WRB INSTALLED BEFORE WINDOW